

CJLINE

400°C/2h extraction units with linear inlet and outlet



Easy to connect to rectangular ducts.

400°C/2h in-line extraction units to work outside the fire danger zone.

Fan:

- Galvanized sheet steel structure.
- Impeller with backward-curved blades made from sheet steel
- Approval according to Standard EN-12101-3-2002, certificate no.: 0370-CPD-0594
- Linear air circulation

Motor:

- Class F motors with ball bearings, IP55 protection, one-or two-speed depending on the model
- Three-phase 230/400V.-50Hz. (up to 5.5CV.) and 400/690V.-50Hz. (power over 5.5CV.)
- Max. temperature of air for transport: S1 Service -20°C+ 120°C for ongoing use, S2 Service 200°C/2h, 300°C/2h and 400°C/2h

Finish:

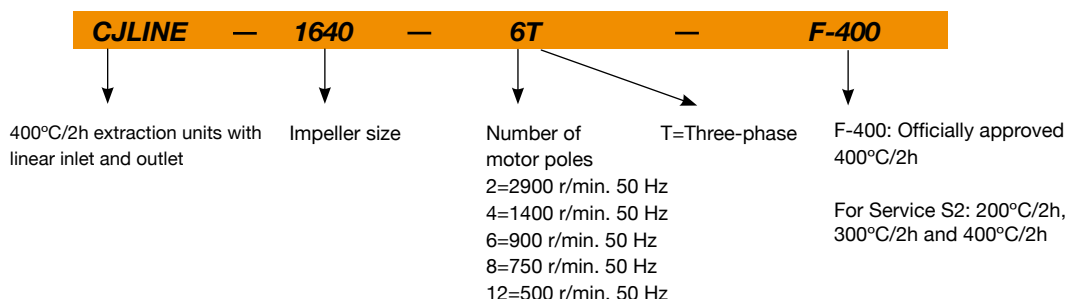
- Anticorrosive galvanized sheet steel.

On request:

- Fans with two-speed motor.



Order code



Technical characteristics

Model	Speed (r/min)	Maximum admissible current (A)			Power installed (kW)	Airflow maximum (m³/h)	Sound pressure level dB(A)	Approx. weight (Kg)
		230V	400V (A)	690V				
CJLINE-1131-4T	1350	1.45	0.84		0.25	1920	51	39
CJLINE-1131-4/8T	1400 / 700		0.70 / 0.30		0.25 / 0.10	1920 / 960	51 / 36	40
CJLINE-1235-4T	1350	1.45	0.84		0.25	3550	56	54
CJLINE-1235-4/8T	1400 / 700		0.70 / 0.30		0.25 / 0.10	3550 / 1775	56 / 41	55
CJLINE-1235-6T	880	1.22	0.70		0.18	2300	50	55
CJLINE-1640-4T	1370	1.92	1.11		0.37	4800	61	65
CJLINE-1640-4/8T	1440 / 700		1.05 / 0.50		0.37 / 0.11	4800 / 2400	61 / 46	67
CJLINE-1640-6T	900	1.51	0.87		0.25	2950	54	66
CJLINE/H-1650-4T	1400	5.97	3.45		1.50	9650	74	99
CJLINE-1845-4T	1380	3.34	1.93		0.75	6700	65	83
CJLINE-1845-4/8T	1425 / 710		2.30 / 0.90		0.75 / 0.12	6700 / 3350	65 / 50	84
CJLINE-1845-6T	900	2.13	1.23		0.37	4360	57	81
CJLINE/H-1856-4T	1420	11.21	6.47		3.00	13580	77	117
CJLINE-1856-6T	900	2.85	1.65		0.55	7720	59	142
CJLINE-1856-6/12T	930 / 450		1.60 / 0.65		0.55 / 0.09	7720 / 3860	59 / 44	143
CJLINE-1856-8T	680	1.83	1.06		0.25	5800	52	143
CJLINE/H-2063-4T	1450		11.03	6.37	5.50	20900	79	228
CJLINE-2063-6T	920	3.77	2.18		0.75	11100	61	185

Technical characteristics

Model	Speed (r/min)	Maximum admissible current (A)			Power installed (kW)	Airflow maximum (m³/h)	Sound pressure level dB(A)	Approx. weight (Kg)
		230V	400V (A)	690V				
CJLINE-2063-6/12T	935 / 435		2.20 / 0.87		0.75/ 0.15	11100 / 5550	61 / 46	190
CJLINE-2063-8T	680	2.33	1.35		0.37	7730	54	188
CJLINE/H-2271-4T	1460		20.64	11.92	11.00	31170	84	283
CJLINE-2271-6T	945	6.67	3.85		1.50	14300	65	205
CJLINE-2271-6/12T	970 / 470		4.60 / 1.90		1.50/ 0.25	14300 / 7150	65 / 50	216
CJLINE-2271-8T	710	4.24	2.45		0.75	9900	57	204
CJLINE-2880-6T	960	12.49	7.21		3.00	22800	67	275
CJLINE-2880-6/12T	960 / 480		9.00 / 3.50		3.00/ 0.55	22800 / 11400	67 / 52	289
CJLINE-2880-8T	720	10.33	5.96		2.20	17200	58	275

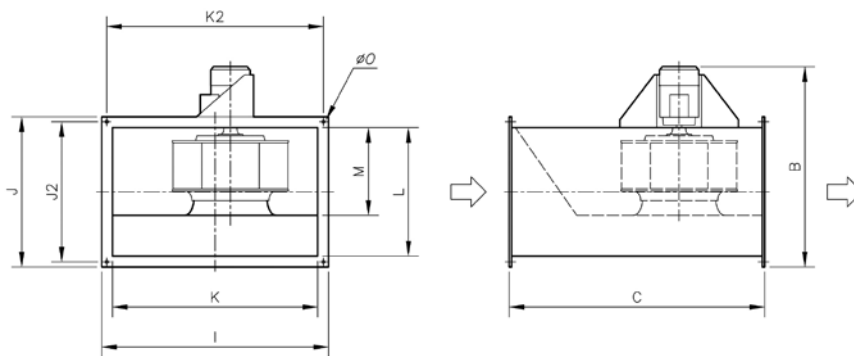
Acoustic features

The specified values are determined according to free field measurements of pressure and sound levels in dB(A) at an equivalent distance of twice the fan's span plus the turbine's diameter, with a minimum of 1.5 m.

Sound power Lw(A) spectrum in dB(A) via frequency band in Hz.

Model	63	125	250	500	1000	2000	4000	8000	Model	63	125	250	500	1000	2000	4000	8000
CJLINE 1131-4	42	51	57	56	60	60	52	46	CJLINE 1856-8	51	57	62	63	66	65	58	53
CJLINE 1131-8	27	36	42	41	45	45	37	31	CJLINE 1856-12	43	49	54	55	58	57	50	45
CJLINE 1235-4	49	58	64	63	67	66	59	53	CJLINE/H 2063-4	81	86	93	94	93	90	83	75
CJLINE 1235-6	43	52	58	57	61	60	53	47	CJLINE 2063-6	60	66	72	72	76	76	68	61
CJLINE 1235-8	34	43	59	48	52	51	44	38	CJLINE 2063-8	53	59	65	65	69	69	61	54
CJLINE 1640-4	56	62	67	68	71	73	65	59	CJLINE 2063-12	45	51	57	57	61	61	53	46
CJLINE 1640-6	49	55	60	61	64	66	58	52	CJLINE/H 2271-4	83	84	93	96	99	99	95	82
CJLINE 1640-8	41	47	52	53	56	58	50	44	CJLINE 2271-6	64	70	76	76	80	80	72	65
CJLINE/H 1650	64	74	82	84	83	85	76	66	CJLINE 2271-8	56	62	68	68	72	72	64	57
CJLINE 1845-4	60	66	71	72	75	77	69	63	CJLINE 2271-12	49	55	61	61	65	65	57	50
CJLINE 1845-6	52	58	63	64	67	69	61	55	CJLINE 2880-6	66	72	78	78	82	82	74	67
CJLINE 1845-8	45	51	56	57	60	62	54	48	CJLINE 2880-8	57	63	69	69	73	73	65	58
CJLINE 1856-6	58	64	69	70	73	72	65	60	CJLINE 2880-12	51	57	63	63	67	67	59	52
CJLINE/H 1856-4	69	77	91	87	90	90	85	71									

Dimensions in mm

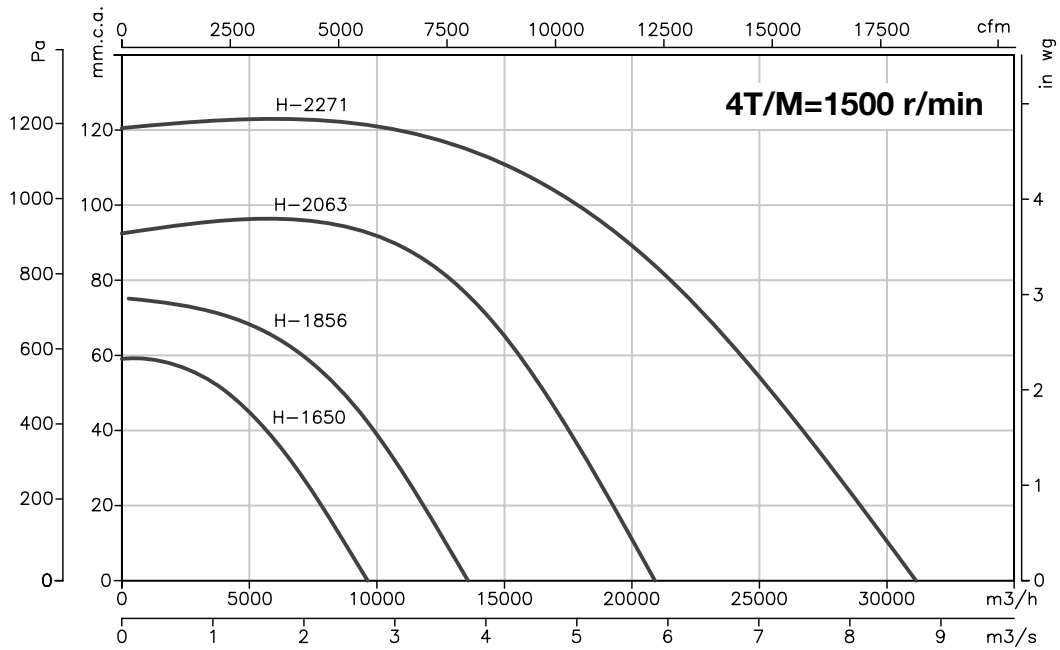
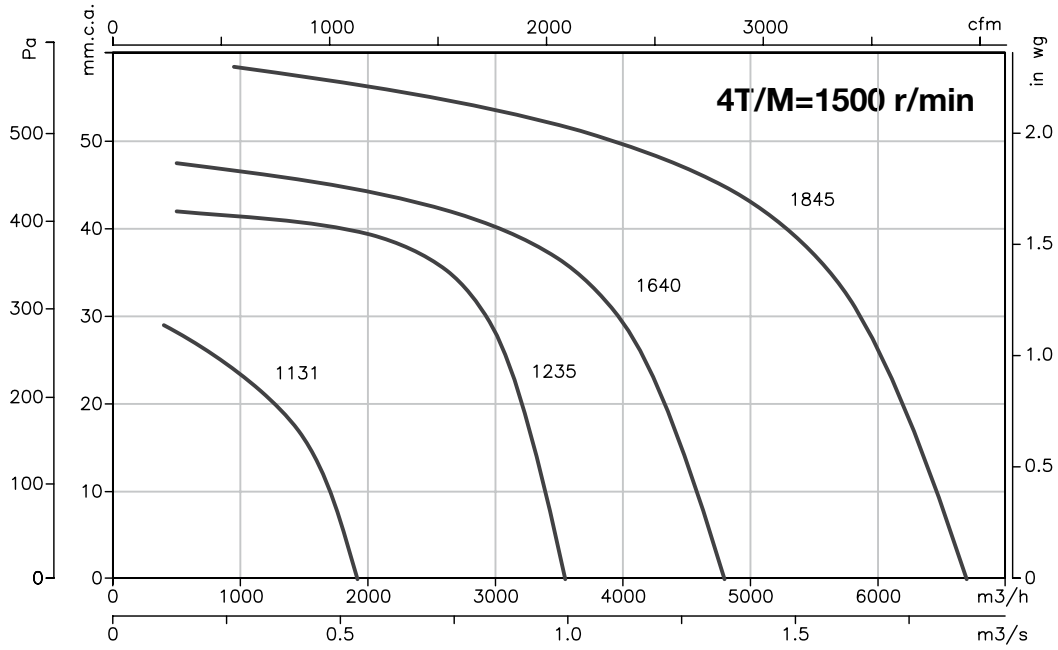


Model	B	C	I	J	J2	K	k2	L	M	ØO
CJLINE-1131	760	710	620	510	483	560	593	450	175	10
CJLINE-1235	830	800	680	560	533	620	653	500	213	10
CJLINE-1640	890	900	770	620	593	710	743	560	262	10
CJLINE-1650/H	942	1000	860	690	663	800	833	630	290	10
CJLINE-1845	1010	1000	860	690	663	800	833	630	290	10
CJLINE-1856	1280	1250	1060	860	833	1000	1033	800	378	10
CJLINE-1856/H	1150	1250	1060	860	833	1000	1033	800	378	10
CJLINE-2063	1390	1400	1205	980	938	1125	1163	900	378	12
CJLINE-2063/H	1320	1400	1205	980	938	1125	1163	900	378	12
CJLINE-2271	1470	1400	1270	980	938	1190	1228	900	378	12
CJLINE-2271/H	1518	1400	1270	980	938	1190	1228	900	378	12
CJLINE-2880	1590	1500	1330	1080	1038	1250	1288	1000	490	12

Characteristic curves

Q = Airflow in m³/h, m³/s and cfm.

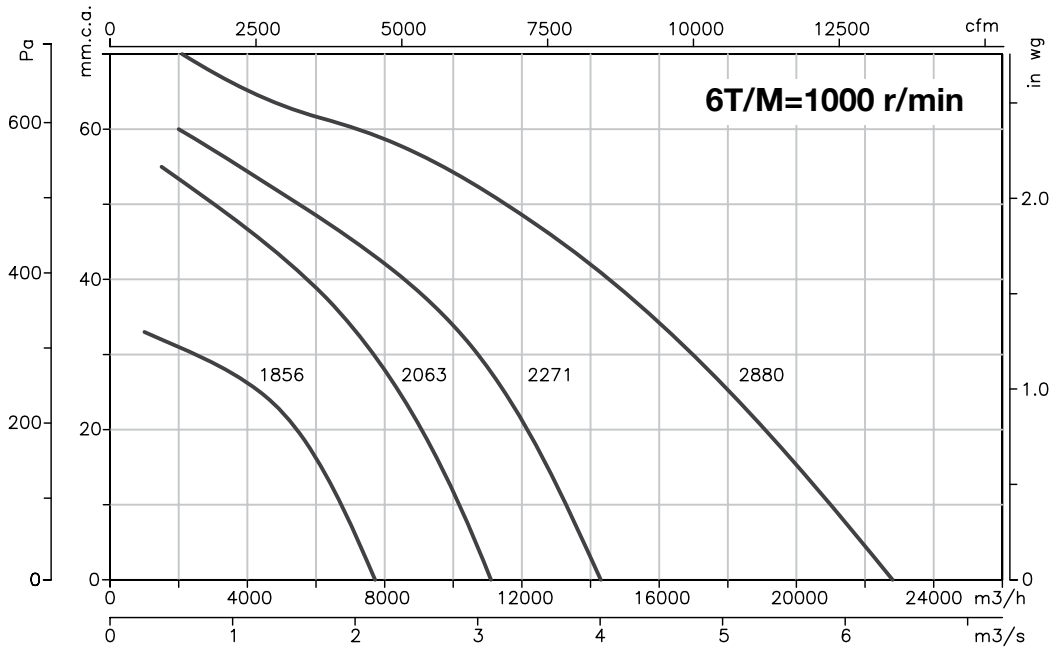
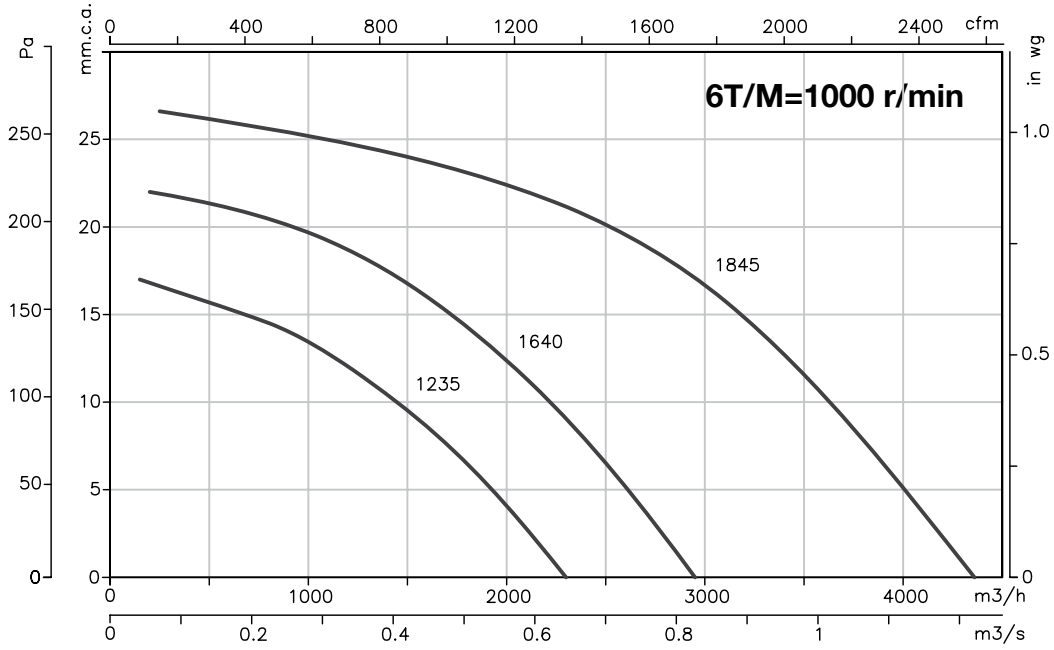
Pe = Static pressure in mm.w.c., Pa and inwg.



Characteristic curves

Q = Airflow in m³/h, m³/s and cfm.

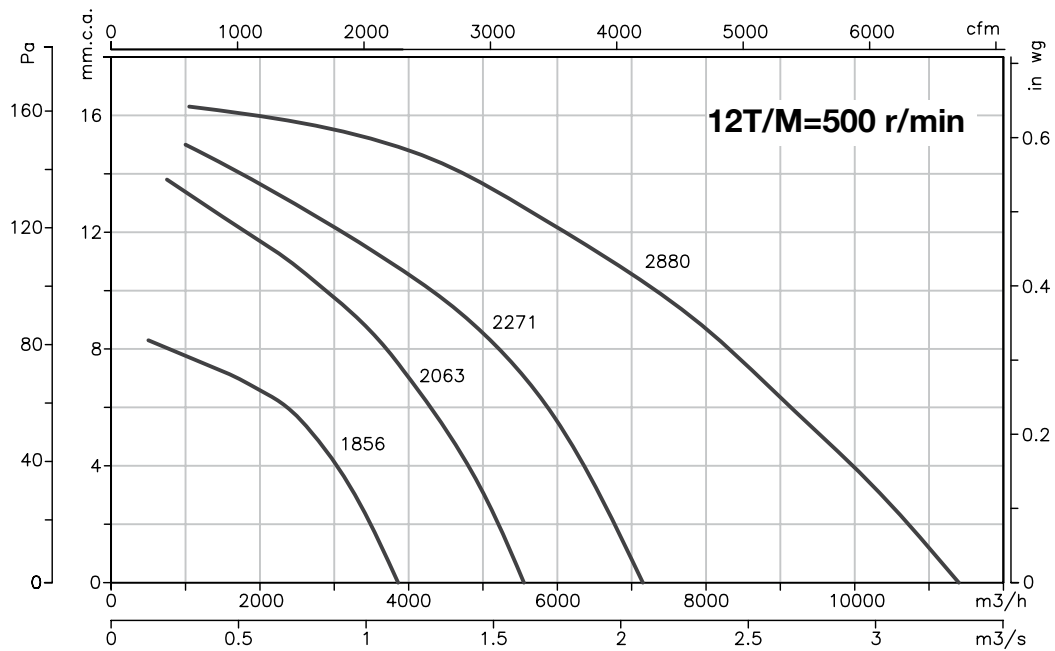
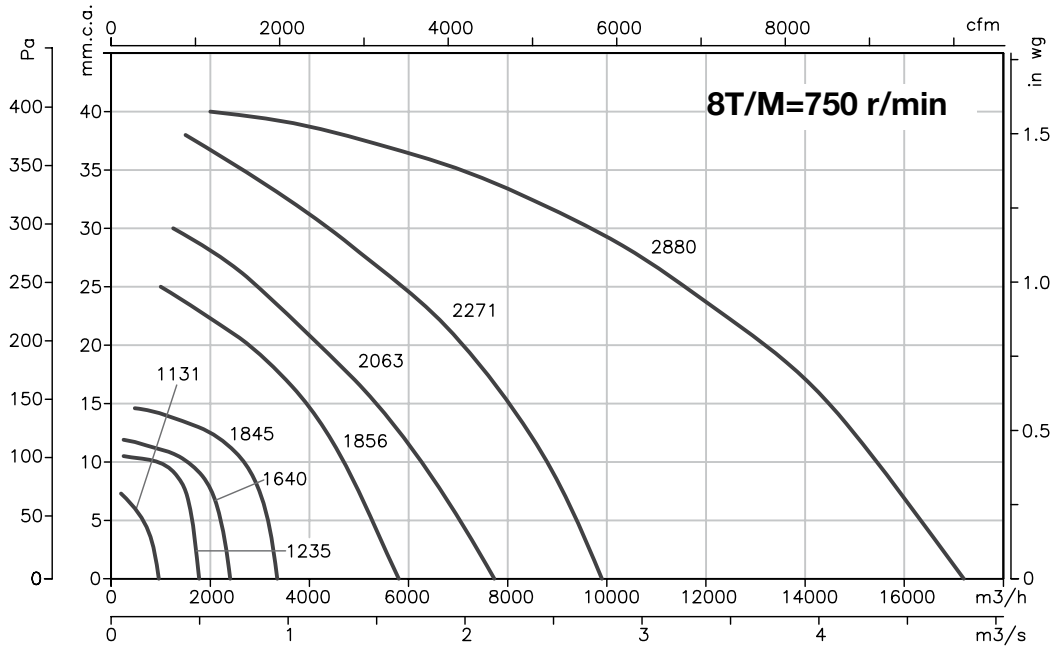
Pe = Static pressure in mm.w.c., Pa and inwg.



Characteristic curves

Q = Airflow in m³/h, m³/s and cfm.

Pe= Static pressure in mm.w.c., Pa and inwg.



Accessories

See accessories section, page 170.



INT

CABLE BOX

C2V

AET

AR

CENTRAL CO

RFT

TAC

VIS

CJEC



Motor-impeller unit easy to dismantle

Extraction units with large hatch to facilitate maintenance.

Extraction units with large hatch to facilitate maintenance.

Fan:

- Galvanized sheet steel structure.
- Impeller with backward-curved blades made from galvanized sheet steel
- Approval according to Standard EN-12101-3-2002 certification No.: 0370-CPD-0382
- Possibility of mounting the outlet on either side of the box during installation.

Motor:

- Single-phase two-speed motors with IE-2 efficiency, except lower powers 0.75 kW
- Class F two-speed motors with ball bearings, IP55 protection
- Three-phase 400V.-50Hz. DHALANDER
- Max. temperature of air for transport: -20°C.+ 120°C.

Finish:

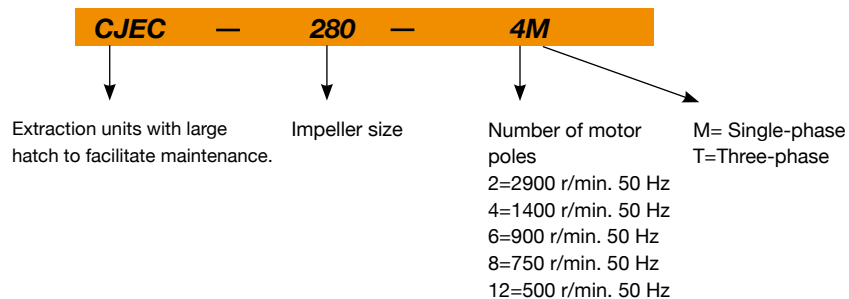
- Anticorrosive galvanized sheet steel.

On request:

- With single-speed motors.



Order code



Technical characteristics

Model	Speed (r/min)	Maximum admissible current (A)		Power installed (kW)	Airflow maximum (m³/h)	Sound level dB(A)		Approx. weight (Kg)
		230V	400V (A)			Inlet	Outlet	
CJEC-280-4/8T	1380 / 720		0.60 / 0.70	0.18 / 0.04	1370 / 685	55 / 40	60 / 45	61
CJEC-280-4M	1380	0.65		0.10	1370	55	60	61
CJEC-315-4/8T	1430 / 640		0.80 / 0.40	0.25 / 0.06	1650 / 825	59 / 44	63 / 48	63
CJEC-315-4M	1400	0.95		0.18	1650	59	63	63
CJEC-355-4/8T	1360 / 700		1.10 / 0.50	0.37 / 0.09	3000 / 1500	61 / 46	66 / 51	75
CJEC-355-4M	1360	1.35		0.25	3000	61	66	75
CJEC-400-4/8T	1410 / 680		1.80 / 0.65	0.55 / 0.13	4000 / 2000	65 / 50	69 / 54	79
CJEC-400-4M	1380	3.30		0.55	4000	65	69	79
CJEC-450-4/8T	1400 / 675		2.15 / 0.75	0.75 / 0.17	5500 / 2750	68 / 53	72 / 57	89
CJEC-450-4M	1380	4.40		0.75	5500	68	72	89
CJEC-500-4/8T	1390 / 700		4.00 / 1.60	1.70 / 0.35	7600 / 3800	70 / 55	75 / 60	110
CJEC-560-6/12T	940 / 460		3.50 / 1.20	1.30 / 0.20	9500 / 4750	77 / 62	82 / 67	129

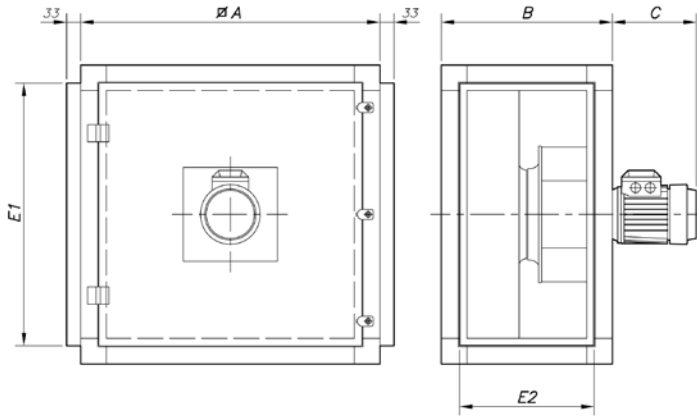
Acoustic features

The specified values are determined according to free field measurements of pressure and sound levels in dB(A) at an equivalent distance of twice the fan's span plus the turbine's diameter, with a minimum of 1.5 m.

Sound power Lw(A) spectrum in dB(A) via frequency band in Hz.

Values taken at inlet with maximum airflow.								Values taken at outlet with maximum airflow.									
Model	63	125	250	500	1000	2000	4000	8000	Model	63	125	250	500	1000	2000	4000	8000
280-4	42	47	62	59	60	58	53	45	280-4	42	45	65	66	65	65	58	49
280-8	27	32	47	44	45	43	38	30	280-8	27	30	50	51	50	50	43	34
315-4	53	62	64	64	64	62	54	42	315-4	45	59	67	69	68	68	60	53
315-8	38	47	49	49	49	47	39	27	315-8	30	44	52	54	53	53	45	38
355-4	52	62	68	63	64	66	62	53	355-4	48	67	68	71	72	71	64	55
355-8	37	47	53	48	49	51	47	38	355-8	33	52	53	56	57	56	49	40
400-4	60	69	72	65	68	69	65	56	400-4	52	70	73	73	75	74	70	59
400-8	45	54	57	50	53	54	50	41	400-8	37	55	58	58	60	59	55	44
450-4	56	65	71	76	72	71	65	57	450-4	56	69	75	77	79	76	71	61
450-8	56	69	75	77	79	76	71	61	450-8	41	54	60	62	64	61	56	46
500-4	57	62	73	76	76	75	69	60	500-4	58	67	78	79	83	80	74	63
500-8	42	47	58	61	61	60	54	45	500-8	43	52	63	64	68	65	59	48
560-6	69	78	80	81	82	82	79	57	560-6	65	79	85	86	90	86	81	72
560-12	54	63	65	66	67	67	64	57	560-12	50	64	70	71	75	71	66	57

Dimensions in mm

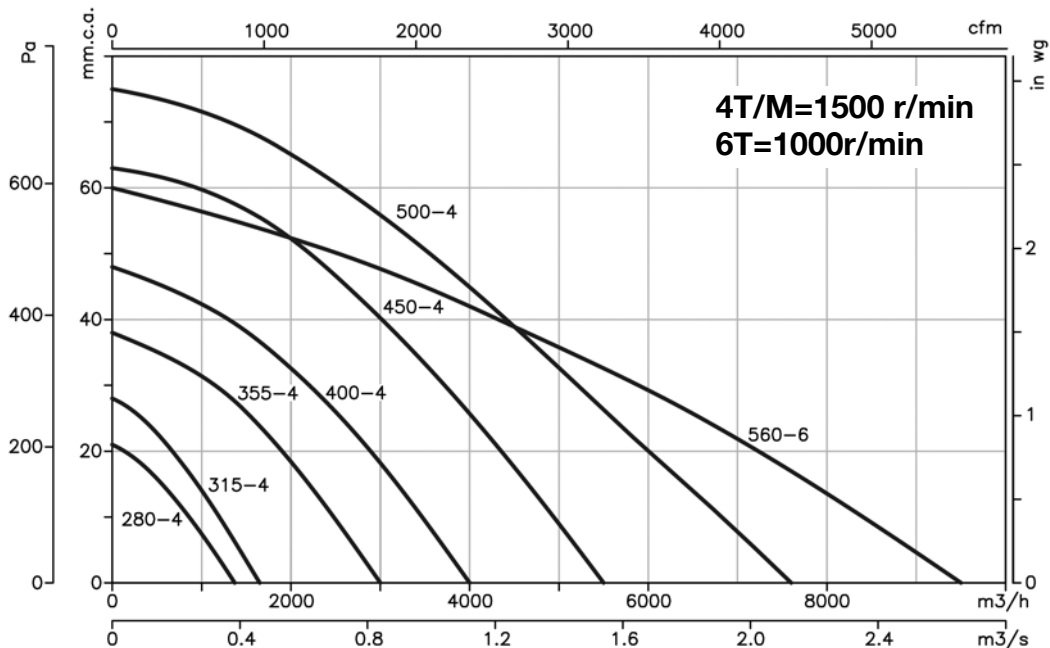


Model	ØA	B	C	E1	E2
CJEC-280	700	400	200	618	318
CJEC-315	700	400	200	618	318
CJEC-344	800	505	200	718	423
CJEC-400	800	505	225	718	423
CJEC-450	900	550	225	818	468
CJEC-500	900	550	260	818	468
CJEC-560	1000	700	290	918	618

Characteristic curves

Q = Airflow in m³/h, m³/s and cfm.

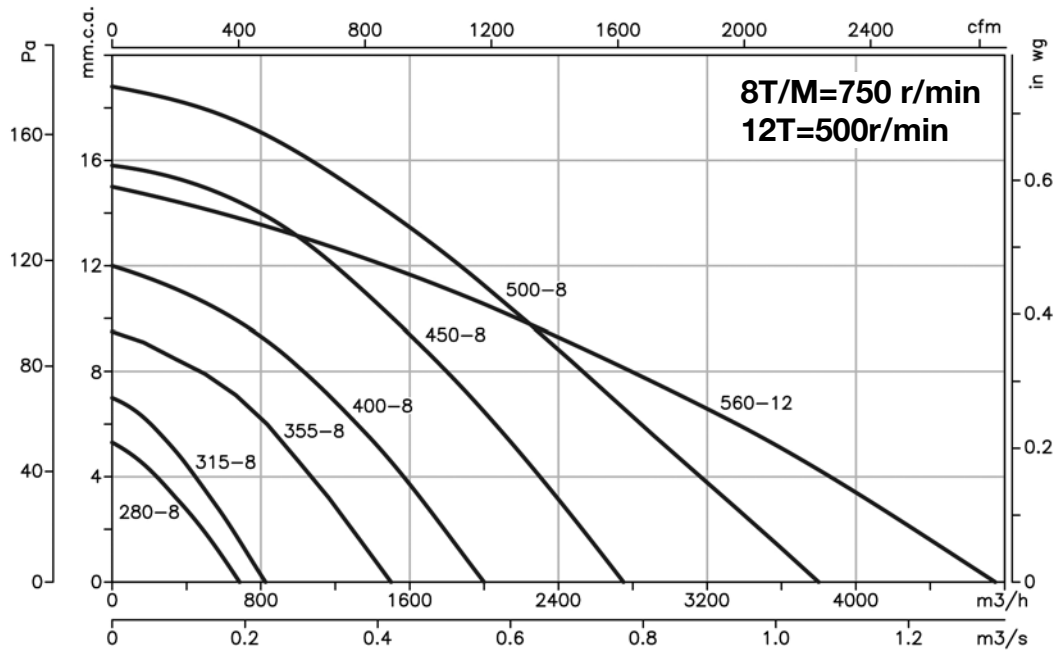
Pe = Static pressure in mm.w.c., Pa and inwg.



Characteristic curves

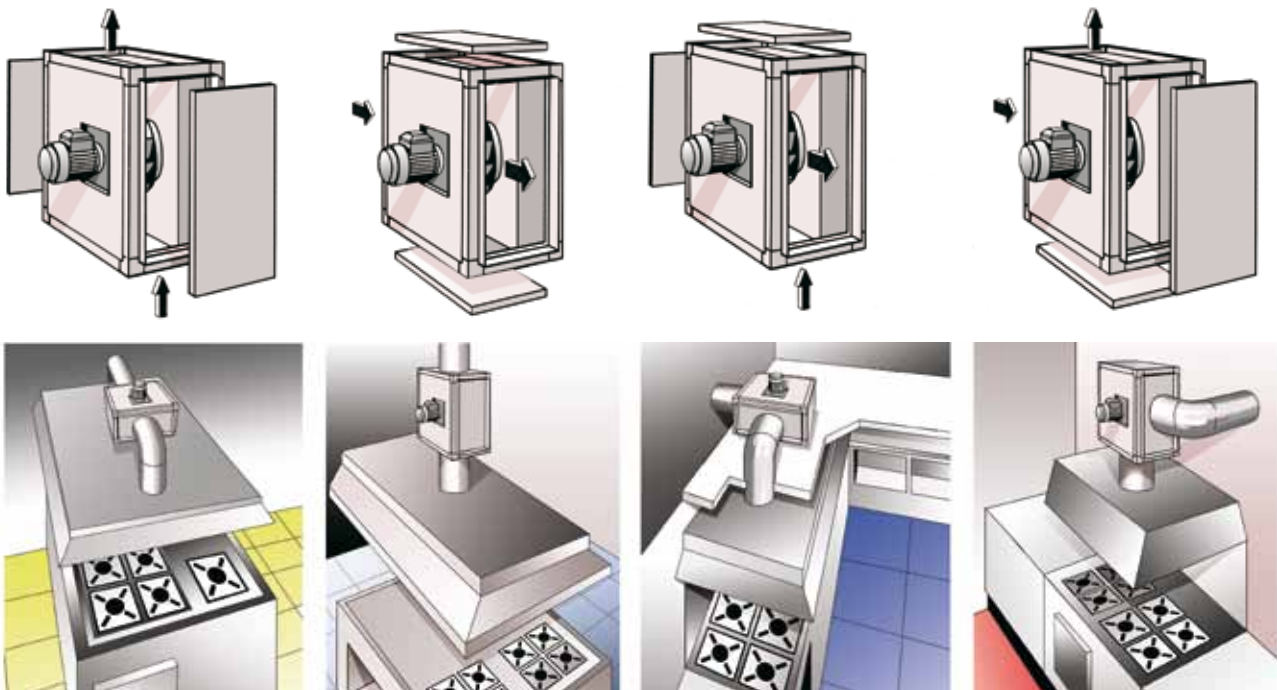
Q = Airflow in m³/h, m³/s and cfm.

Pe= Static pressure in mm.w.c., Pa and inwg.



CJEC installations

Possibility of installing the CJEC series by changing the position of the inlet and outlet panels



Accessories

See accessories section, page 170.

