

THT



Detail THT/Atex

THT: Cased axial fans 400°C/2h, 300°C/1h and 200°C/2h

THT/ATEX: Cased axial fans 400°C/2h, 300°C/1h and 200°C/2h with ATEX certification

Cased axial fans with short casing for working inside fire danger zones, 400°C/2h. THT/ATEX: with ATEX certification, category 3 Ex II3G. In accordance with Spanish Low Voltage Regulation ITC 29 ATEX for Zone 2 rated car parks.

Fan:

- Sheet steel long casing. THT/ATEX: with aluminium strip in the impeller area in accordance with Standard EN-14986:2005
- Turnable cast aluminium impellers.
- Approval according to Standard EN-12101-3-2002, certificate no.: 0370-CPD-0305
- Airflow direction from motor to impeller

Motor:

- Class H motors, ongoing use S1 and emergency use S2, with ball bearings, IP55 protection, and one or two speeds depending on the model.
- Three-phase 230/400V.-50Hz. (up to 4CV.) and 400/690V.-50Hz. (power over 4CV.)
- Max. temperature of air for transport: S1 Service -20°C+ 40°C for ongoing use, S2 Service 200°C/2h, 300°C/2h, 400°C/2h

Finish:

- Anticorrosive finish in polyester resin, polymerised at 190°C, after alkaline degreasing and phosphate-free pre-treatment.

On request:

- Long-casing fans with inspection hatch
- 100% reversible impellers.



Order code

From size 40 to size 100

THT — 56 — 4T — 2 — F-400

THT: Cased axial fans 400°C/2h, 300°C/1h and 200°C/2h

Impeller diameter in cm.

Number of motor poles

T=Three-phase

Power motor (c.v.)

F-200 Officially approved 200°C/2h

THT/ATEX: Cased axial fans 400°C/2h, 300°C/1h and 200°C/2h with ATEX certification

- 2=2900 r/min. 50 Hz
- 4=1400 r/min. 50 Hz
- 6=900 r/min. 50 Hz
- 8=750 r/min. 50 Hz
- 12=500 r/min. 50 Hz

F-300 Officially approved 300°C/1h

THT/CL: Cased axial fans 400°C/2h, 300°C/1h and 200°C/2h with long casing, equipped with an inspection door

F-400 Officially approved 400°C/2h
CAT3: With ATEX certification, Category 3 Ex II3G.

From size 125 to size 160

THT — 125 — 4T — 15 — 9-10 — F-400

THT: Cased axial fans 400°C/2h, 300°C/1h and 200°C/2h

Impeller diameter in cm.

Number of motor poles

T=Three-phase

Power motor (c.v.)

Number of blades
Angle of inclination of the blades

F-200 Officially approved 200°C/2h

THT/CL: Cased axial fans 400°C/2h, 300°C/1h and 200°C/2h with long casing, equipped with an inspection door

- 2=2900 r/min. 50 Hz
- 4=1400 r/min. 50 Hz
- 6=900 r/min. 50 Hz
- 8=750 r/min. 50 Hz
- 12=500 r/min. 50 Hz

F-300 Officially approved 300°C/1h

F-400 Officially approved 400°C/2h
CAT3: With ATEX certification, Category 3 Ex II3G.

Technical characteristics

Model	Speed (r/min)	Maximum admissible current (A)			Power installed (kW)	Airflow maximum (m ³ /h)	Sound pressure level dB(A)	Approx. weight (Kg)	
		230V	400V	690V				Long	Short
THT-40-2T-1,5	2880	4.70	2.70		1.1	7050	76	33	31
THT-40-2/4T-1,5	2920/ 1460		2.90/2.10		1.1 / 0.25	7050/3500	76/61	34	32
THT-40-2T-2	2880	5.90	3.40		1.5	8000	77	35	33
THT-40-2/4T-2	2940/ 1460		4.40/1.40		1.5 / 0.37	8000/3950	77/62	35	33
THT-40-4T-0,75	1410	2.73	1.57		0.55	4800	64	32	29
THT-40-6T-0,75	960	4.10	2.40		0,55	3150	53	37	34
THT-40-6/12T-0,75	940/ 440		1.60/0.55		0.55 / 0.09	3150/1500	53/38	41	38
THT-45-2T-2	2880	5.90	3.40		1.50	10050	78	38	34
THT-45-2/4T-2	2940/ 1460		5.70/1.80		1.50 / 0.37	10050/5000	78/63	37	34
THT-45-2T-3	2900	8.70	5.00		2.20	11350	80	39	36
THT-45-2/4T-3	2930/ 1450		4.40/1.40		2.20 / 0.60	11350/5600	80/65	39	36
THT-45-4T-0,75	1410	2.73	1.57		0.55	7450	68	34	30
THT-45-6T-0,75	960	4.10	2.40		0.55	5050	55	38	35
THT-45-6/12T-0,75	940/ 440		1.60/0.55		0.55 / 0.09	5050/2350	55/40	42	39
THT-50-2T-4	2880	11.20	6.50		3.00	13850	82	49	42
THT-50-2/4T-4	2920/ 1440		6.70/2.00		3.00 / 0.80	13850/6850	82/67	51	44
THT-50-2T-5,5	2890		9.30	5.40	4.00	16450	83	65	57
THT-50-2/4T-6	2930/ 1450		10.00/3.20		4.50 / 1.30	16750/8300	83/68	67	60
THT-50-4T-1	1415	3.50	2.03		0.75	9750	69	37	33
THT-50-6T-0,75	960	4.10	2.40		0.55	7900	57	40	36
THT-50-6/12T-0,75	940/ 440		1.60/0.55		0.55 / 0.09	7900/3700	57/42	44	40
THT-56-2T-5,5	2920		9.50	5.50	4.00	18050	88	69	60
THT-56-2/4T-6	2930/ 1450		10.00/3.20		4.50 / 1.30	20050	88 72	71	63
THT-56-2T-12	2950		19.20	11.00	9.00	29500	89	147	139
THT-56-2/4T-12	2920/ 1440		20.70/5.50		9.00 / 2.50	29500/14750	89/74	137	129
THT-56-4T-1	1430	3.50	2.00		0.75	11850	73	45	40
THT-56-4T-1,5	1430	4.80	2.80		1.10	13050	74	44	40
THT-56-4/8T-1,5	1440/ 710		2.90/1.40		1.10 / 0.25	13050/6450	74/59	48	43
THT-56-4T-2	1420	6.20	3.60		1.50	14550	75	48	43
THT-56-4/8T-2	1415/ 715		3.60/1.50		1.50 / 0.30	14550/7350	75/60	59	55
THT-56-6T-0,75	960	4.10	2.40		0.55	10350	62	44	39
THT-56-6/12T-0,75	940/ 440		1.60/0.55		0.55 / 0.09	10350/4850	62/47	48	43
THT-63-2T-12	2950		19.20	11.00	9.00	31000	90	161	143
THT-63-2/4T-12	2920/ 1440		18.50/5.50		9.00 / 2.50	31000/15500	90/75	151	133
THT-63-2T-22	2960		32.30	18.60	16.00	40050	91	188	170
THT-63-2/4T-22	2960/ 1480		32.30/8.90		16.00 / 4.00	40050/20000	91/76	188	170
THT-63-4T-1	1430	3.50	2.00		0.75	15200	73	49	43
THT-63-4T-1,5	1430	4.80	2.80		1.10	17800	74	51	45
THT-63-4/8T-1,5	1440/ 710		2.90/1.40		1.10 / 0.25	17800/8800	74/59	55	49
THT-63-4T-2	1420	6.20	3.60		1.50	19350	75	55	49
THT-63-4/8T-2	1415/ 715		3.60/1.50		1.50 / 0.30	19350/9750	75/60	70	60
THT-63-4T-3	1430	9.00	5.20		2.20	21550	76	64	54
THT-63-4/8T-3	1415/ 715		5.20/1.90		2.20 / 0.45	21550/10900	76/61	77	66
THT-63-4T-4	1430	11.40	6.60		3.00	24350	77	73	63
THT-63-4/8T-4	1425/ 710		6.80/2.20		3.00 / 0.60	24350/12150	77/62	86	77
THT-63-6T-0,75	960	4.10	2.40		0.55	13650	65	51	45
THT-63-6/12T-0,75	940/ 440		1.60/0.55		0.55 / 0.09	13650/6400	65/50	55	49
THT-63-6T-1	950	4.70	2.70		0.75	15050	66	54	48
THT-63-6/12T-1	940/ 440		2.20/0.87		0.75 / 0.15	15050/7050	66/51	61	55
THT-71-4T-1,5	1430	4.80	2.80		1.10	19550	78	58	52
THT-71-4/8T-1,5	1440/ 710		2.90/1.40		1.10 / 0.25	19550/9650	78/63	61	56
THT-71-4T-2	1420	6.20	3.60		1.50	22200	79	61	56
THT-71-4/8T-2	1415/ 715		3.60/1.50		1.50 / 0.30	22200/11200	79/64	76	67

Technical characteristics

Model	Speed (r/min)	Maximum admissible current (A)		Power installed (kW)	Airflow maximum (m³/h)	Sound pressure level dB(A)	Approx. weight (Kg)	
		230V	690V				Long	Short
THT-71-4T-3	1430	9.00	5.20	2.20	25850	81	70	61
THT-71-4/8T-3	1415/ 715		5.20/1.90	2.20/0.45	25850/13050	81/66	82	74
THT-71-4T-4	1430	11.40	6.60	3.00	28550	82	79	70
THT-71-4/8T-4	1425/ 710		6.80/2.20	3.00/0.60	28550/14250	82/67	92	83
THT-71-6T-0,75	960	4.10	2.40	0.55	16100	67	57	52
THT-71-6/12T-0,75	940/ 440		1.60/0.55	0.55/0.09	16100/7550	67/52	61	56
THT-71-6T-1	950	4.70	2.70	0.75	17350	68	61	55
THT-71-6/12T-1	940/ 440		2.20/0.87	0.75/0.15	17350/8100	68/53	67	62
THT-71-6T-1,5	940	5.50	3.20	1.10	20000	69	69	61
THT-71-6/12T-1,5	950/ 470		3.00/1.15	1.10/0.18	20000/9900	69/54	77	69
THT-80-4T-3	1430	9.00	5.20	2.20	27900	82	79	69
THT-80-4/8T-3	1415/ 715		5.20/1.90	2.20/0.45	27900/14100	82/67	91	82
THT-80-4T-4	1430	11.40	6.60	3.00	30400	83	88	78
THT-80-4/8T-4	1425/ 710		6.80/2.20	3.00/0.60	30400/15150	83/68	101	92
THT-80-4T-5,5	1435		8.40	4.80	36900	84	94	85
THT-80-4/8T-5,5	1455/ 725		9.30/3.40	4.00/0.80	36900/18400	84/69	127	118
THT-80-6T-1,5	940	5.50	3.20	1.10	23250	72	78	69
THT-80-6/12T-1,5	950/ 470		3.00/1.15	1.10/0.18	23250/11500	72/57	86	77
THT-80-6T-2	945	7.40	4.30	1.50	26100	73	87	78
THT-80-6/12T-2	950/ 460		4.60/1.90	1.50/0.25	26100/12650	73/58	91	82
THT-80-6T-3	935	9.50	5.50	2.20	30000	74	94	84
THT-80-6/12T-3	940/ 470		5.60/2.20	2.20/0.37	30000/15000	74/59	100	91
THT-80-8T-0,75	700	3.60	2.10	0.55	19050	70	71	62
THT-80-8T-1	710	4.80	2.80	0.75	20750	71	78	69
THT-90-4T-4	1430	11.40	6.60	3.00	36150	87	110	93
THT-90-4/8T-4	1425/ 710		6.80/2.20	3.00/0.60	36150/18000	87/72	124	106
THT-90-4T-5,5	1435		8.40	4.80	41700	89	117	99
THT-90-4/8T-5,5	1455/ 725		9.30/3.40	4.00/0.80	41700/20750	89/74	150	132
THT-90-4T-7,5	1460		12.60	7.30	46350	91	143	126
THT-90-4/8T-7,5	1455/ 725		12.80/4.60	5.50/1.10	46350/23100	91/76	157	140
THT-90-4T-10	1460		17.70	10.20	52000	92	154	137
THT-90-4/8T-9	1455/ 725		15.60/6.30	6.70/1.50	52000/25900	92/77	157	140
THT-90-6T-2	945	7.40	4.30	1.50	30350	77	110	92
THT-90-6/12T-2	950/ 460		4.60/1.90	1.50/0.25	30350/14700	77/62	114	96
THT-90-6T-3	935	9.50	5.50	2.20	34050	78	116	99
THT-90-6/12T-3	940/ 470		5.60/2.20	2.20/0.37	34050/17050	78/63	123	105
THT-90-6T-4	970	13.50	7.80	3.00	37200	79	142	124
THT-90-6/12T-4	960/ 475		8.90/3.50	3.00/0.55	37200/18400	79/64	143	126
THT-90-8T-1	710	4.80	2.80	0.75	24100	71	100	84
THT-90-8T-2	710	7.80	4.50	1.50	29600	73	116	99
THT-90-8T-3	710	11.40	6.60	2.20	30950	74	134	116
THT-100-4T-7,5	1460		12.60	7.30	54900	92	151	131
THT-100-4/8T-7,5	1455/ 725		12.80/4.60	5.50/1.10	54900/27350	92/77	165	145
THT-100-4T-10	1460		17.70	10.20	57650	93	162	142
THT-100-4/8T-9	1455/ 725		15.60/6.30	6.70/1.50	60400/30100	93/78	165	145
THT-100-4T-15	1460		22.00	12.70	66500	94	215	195
THT-100-4/8T-15	1470/ 725		23.20/8.70	11.00/2.80	66500/32800	94/79	215	195
THT-100-4T-20	1460		29.00	16.70	73200	95	230	210
THT-100-4/8T-20	1470/ 725		31.70/11.80	15.00/3.80	73200/36100	95/80	230	210
THT-100-6T-3	935	9.50	5.50	2.20	39600	82	124	105
THT-100-6/12T-3	940/ 470		5.60/2.20	2.20/0.37	39600/19800	82/67	130	112
THT-100-6T-4	970	13.50	7.80	3.00	43550	83	150	130
THT-100-6/12T-4	960/ 475		8.90/3.50	3.00/0.55	43550/21550	83/68	151	131
THT-100-6T-5,5	970		11.00	6.40	47950	84	162	142
THT-100-6/12T-5,5	970/ 480		11.30/4.20	4.00/0.65	47950/23750	84/69	162	142

Technical characteristics

Model	Speed (r/min)	Maximum admissible current (A)			Power installed (kW)	Airflow maximum (m³/h)	Sound pressure level dB(A)	Approx. weight (Kg)	
		230V	400V	690V				Long	
THT-100-8T-2	710	7.80	4.50		1.50	34700	77	124	105
THT-100-8T-3	710	11.40	6.60		2.20	39400	77	142	122
THT-100-8T-4	710	15.60	9.00		3.00	40600	78	162	142
THT-125-4T/3-10	1460		17.70	10.20	7.50	58150	88	243	210
THT-125-4/8T/3-9	1455 / 725		15.60/6.30		6.70 / 1.50	58150/29000	88/68	243	210
THT-125-4T/3-15	1460		22.00	12.70	11.00	77450	89	294	266
THT-125-4/8T/3-15	1470 / 725		23.20/8.70		11.00 / 2.80	77450/38200	89/69	294	266
THT-125-4T/3-20	1460		29.00	16.70	15.00	91400	91	309	281
THT-125-4/8T/3-20	1470 / 725		31.70/11.80		15.00 / 3.80	91400/45050	91/71	309	281
THT-125-4T/3-25	1465		37.00	21.40	18.50	98350	91	377	334
THT-125-4T/3-30	1470		42.00	24.20	22.00	110500	92	391	348
THT-125-4/8T/3-27	1470 / 735		38.00/13.00		20.00 / 4.00	110500/55250	92/71	391	348
THT-125-4/8T/3-37	1475 / 735		51.00/20.60		27.00 / 6.00	116600/58100	93/72	472	429
THT-125-4T/3-40	1475		58.00	33.50	30.00	120850	93	472	429
THT-125-4/8T/3-40	1480 / 735		62.00/27.00		30.00 / 10.00	120850/60000	93/72	618	562
THT-125-4T/6-20	1460		29.00	16.70	15.00	78300	89	318	290
THT-125-4/8T/6-20	1470 / 725		31.70/11.80		15.00 / 3.80	78300/38600	89/68	318	290
THT-125-4/8T/6-22	1470 / 735		31.80/12.00		16.50 / 3.30	85150/42600	89/69	303	275
THT-125-4T/6-25	1465		37.00	21.40	18.50	92000	90	386	343
THT-125-4/8T/6-27	1470 / 735		38.00/13.00		20.00 / 4.00	92000/46000	90/69	400	357
THT-125-4T/6-30	1470		42.00	24.20	22.00	98100	90	400	357
THT-125-4/8T/6-37	1475 / 735		51.00/20.60		27.00 / 6.00	98100/48900	90/70	481	437
THT-125-4T/6-40	1475		58.00	33.50	30.00	117000	92	481	437
THT-125-4/8T/6-40	1480 / 735		62.00/27.00		30.00 / 10.00	117000/58100	92/71	627	571
THT-125-4T/6-50	1480		73.00	42.10	37.00	123700	93	529	473
THT-125-4T/9-25	1465		37.00	21.40	18.50	79750	88	395	352
THT-125-4/8T/9-22	1470 / 735		31.80/12.00		16.50 / 3.30	79750/39900	88/69	312	284
THT-125-4T/9-30	1470		42.00	24.20	22.00	97000	89	409	366
THT-125-4/8T/9-27	1470 / 735		38.00/13.00		20.00 / 4.00	97000/48500	89/70	409	366
THT-125-4/8T/9-37	1475 / 735		51.00/20.60		27.00 / 6.00	104100/51900	90/70	490	446
THT-125-4T/9-40	1475		58.00	33.50	30.00	111200	91	490	446
THT-125-4/8T/9-40	1480 / 735		62.00/27.00		30.00 / 10.00	111200/55250	91/71	636	580
THT-125-4T/9-50	1480		73.00	42.10	37.00	118350	93	538	482
THT-125-6T/3-4	970	13.50	7.80		3.00	46550	79	230	197
THT-125-6/12T/3-4	960 / 475		8.90/3.50		3.00 / 0.55	46550/23000	79/64	232	199
THT-125-6T/3-5.5	970		11.00	6.40	4.00	55300	80	242	209
THT-125-6/12T/3-5,5	970 / 480		11.30/4.20		4.00 / 0.65	55300/27350	80/65	243	210
THT-125-6T/3-7.5	970		12.40	7.20	5.50	64450	81	249	216
THT-125-6/12T/3-7,5	970 / 480		13.20/5.30		5.50 / 1.00	64450/31900	81/66	263	230
THT-125-6T/3-10	970		17.00	9.80	7.50	76400	83	274	246
THT-125-6/12T/3-10	960 / 470		20.00/9.00		7.50 / 1.40	76400/37400	83/68	294	266
THT-125-6T/3-15	955		26.00	15.00	11.00	87050	84	304	276
THT-125-6/12T/3-15	960 / 470		28.50/13.00		11.00 / 2.00	87050/42600	84/69	309	281
THT-125-6T/3-20	975		31.00	17.90	15.00	91700	85	377	334
THT-125-6/12T/3-24	970 / 480		36.00/14.50		17.50 / 3.50	91700/45400	85/70	472	429
THT-125-6T/6-5.5	970		11.00	6.40	4.00	51300	77	251	218
THT-125-6/12T/6-5,5	970 / 480		11.30/4.20		4.00 / 0.65	51300/25400	77/62	252	219
THT-125-6T/6-7.5	970		12.40	7.20	5.50	60300	77	258	225
THT-125-6/12T/6-7,5	970 / 480		13.20/5.30		5.50 / 1.00	60300/29850	77/62	272	239
THT-125-6T/6-10	970		17.00	9.80	7.50	72250	79	283	255
THT-125-6/12T/6-10	960 / 470		20.00/9.00		7.50 / 1.40	72250/35350	79/64	303	275
THT-125-6T/6-15	955		26.00	15.00	11.00	85450	81	313	285
THT-125-6/12T/6-15	960 / 470		28.50/13.00		11.00 / 2.00	85450/41850	81/66	318	290
THT-125-6T/6-20	975		31.00	17.90	15.00	92850	82	386	343
THT-125-6/12T/6-24	970 / 480		36.00/14.50		17.50 / 3.50	92850/45950	82/67	481	437

Technical characteristics

Model	Speed (r/min)	Maximum admissible current (A)			Power installed (kW)	Airflow maximum (m³/h)	Sound pressure level dB(A)	Approx. weight (Kg)	
		230V	400V	690V				Long	Short
THT-125-6T/9-10	970		17.00	9.80	7.50	68200	78	292	264
THT-125-6/12T/9-10	960/ 470		20.00/9.00		7.50 / 1.40	68200/33400	78/63	312	284
THT-125-6T/9-15	955		26.00	15.00	11.00	77550	81	322	294
THT-125-6/12T/9-15	960/ 470		28.50/13.00		11.00 / 2.00	77550/37950	81/66	327	299
THT-125-6T/9-20	975		31.00	17.90	15.00	92900	84	395	352
THT-125-6/12T/9-24	970/ 480		36.00/14.50		17.50 / 3.50	98650/48800	84/69	490	446
THT-140-6T/3-5,5	940		8.72	5.00	4.00	56700	83	279	242
THT-140-6T/3-7,5	960		12.2	7.00	5.50	67900	84	287	250
THT-140-6T/3-10	970		15.6	9.00	7.50	80100	85	339	300
THT-140-6T/3-15	970		23.3	13.50	11.00	96900	86	356	317
THT-140-6T/3-20	970		27.4	15.80	15.00	106000	88	436	386
THT-140-6T/6-7,5	960		12.2	7.00	5.50	66000	84	297	260
THT-140-6T/6-10	970		15.6	9.00	7.50	80700	85	349	310
THT-140-6T/6-15	970		23.3	13.50	11.00	96700	86	366	327
THT-140-6T/6-20	970		27.4	15.80	15.00	104000	87	445	396
THT-140-6T/6-25	975		34.4	19.90	18.50	115000	88	497	448
THT-140-6T/6-30	975		41.4	23.90	22.00	119000	89	506	457
THT-140-6T/9-10	970		15.6	9.00	7.50	70000	84	358	319
THT-140-6T/9-15	970		23.3	13.50	11.00	86000	86	375	336
THT-140-6T/9-20	970		27.4	15.80	15.00	97500	87	455	405
THT-140-6T/9-25	975		34.4	19.90	18.50	111000	88	506	458
THT-140-6T/9-30	975		41.4	23.90	22.00	118500	89	515	467
THT-140-6T/9-40	985		54.2	31.30	30.00	132000	91	673	611
THT-140-6T/9-50	980		66.4	38.30	37.00	139000	92	751	696
THT-140-8T/3-3	715	9.17	5.27		2.20	50000	78	279	242
THT-140-8T/3-4	710	12.50	7.2		3.00	57000	78	287	250
THT-140-8T/3-5,5	730		10.	6.00	4.00	65400	79	337	298
THT-140-8T/3-7,5	730		13.8	8.00	5.50	77500	81	346	307
THT-140-8T/3-10	725		17.8	10.30	7.50	86000	82	357	318
THT-140-8T/6-3	715	9.17	5.27		2.20	47500	78	289	252
THT-140-8T/6-4	710	12.50	7.2		3.00	57600	79	297	260
THT-140-8T/6-5,5	730		10.4	6.00	4.00	65200	80	347	308
THT-140-8T/6-7,5	730		13.8	8.00	5.50	73300	81	356	317
THT-140-8T/6-10	725		17.8	10.30	7.50	82200	82	367	328
THT-140-8T/6-15	725		21.7	12.50	11.00	94200	83	453	404
THT-140-8T/9-4	710	12.50	7.2		3.00	47200	79	306	269
THT-140-8T/9-5,5	730		10.4	6.00	4.00	64400	79	356	317
THT-140-8T/9-7,5	730		13.8	8.00	5.50	69200	81	365	326
THT-140-8T/9-10	725		17.8	10.30	7.50	78700	82	376	337
THT-140-8T/9-15	725		21.7	12.50	11.00	94300	83	463	413
THT-140-8T/9-20	725		32.9	19.00	15.00	103000	86	516	468
THT-160-6T/3-10	970		15.6	9.00	7.50	84000	83	412	358
THT-160-6T/3-15	970		23.3	13.50	11.00	102000	85	429	375
THT-160-6T/3-20	970		27.4	15.80	15.00	127000	86	522	453
THT-160-6T/3-25	975		34.4	19.90	18.50	136700	87	574	504
THT-160-6T/3-30	975		41.4	23.90	22.00	145000	89	583	513
THT-160-6T/6-15	970		23.3	13.50	11.00	93500	85	440	386
THT-160-6T/6-20	970		27.4	15.80	15.00	120500	86	532	463
THT-160-6T/6-25	975		34.4	19.90	18.50	130000	87	584	515
THT-160-6T/6-30	975		41.4	23.90	22.00	140000	88	593	524
THT-160-6T/6-40	985		54.2	31.30	30.00	158000	89	768	669
THT-160-6T/6-50	980		66.4	38.30	37.00	171000	91	842	757
THT-160-6T/9-15	970		23.3	13.50	11.00	87000	85	450	396
THT-160-6T/9-20	970		27.4	15.80	15.00	104000	86	542	473
THT-160-6T/9-25	975		34.4	19.90	18.50	127000	87	594	525

Technical characteristics

Model	Speed (r/min)	Maximum admissible current (A)			Power installed (kW)	Airflow maximum (m³/h)	Sound pressure level dB(A)	Approx. weight (Kg)	
		230V	400V	690V				Long	Short
THT-160-6T/9-30	975		41.4	23.90	22.00	135000	88	603	534
THT-160-6T/9-40	985		54.2	31.30	30.00	147000	89	778	679
THT-160-6T/9-50	980		66.4	38.30	37.00	165000	90	852	768
THT-160-6T/9-60	985		84.5	48.80	45.00	177000	91	1067	968
THT-160-6T/9-75	985		100	57.70	55.00	193000	92	1112	1013
THT-160-8T/3-4	710	12.50	7.2		3.00	57500	77	356	304
THT-160-8T/3-5,5	730		10.4	6.00	4.00	74000	79	410	356
THT-160-8T/3-7,5	730		13.8	8.00	5.50	83500	80	419	365
THT-160-8T/3-10	725		17.8	10.30	7.50	97500	81	430	376
THT-160-8T/3-15	725		21.7	12.50	11.00	115000	83	530	461
THT-160-8T/6-5,5	730		10.4	6.00	4.00	62000	77	421	367
THT-160-8T/6-7,5	730		13.8	8.00	5.50	77000	79	430	376
THT-160-8T/6-10	725		17.8	10.30	7.50	95000	80	441	387
THT-160-8T/6-15	725		21.7	12.50	11.00	109000	82	540	471
THT-160-8T/6-20	725		32.9	19.00	15.00	123000	83	594	525
THT-160-8T/6-25	730		34.9	20.10	18.50	130000	84	741	642
THT-160-8T/9-7,5	730		13.8	8.00	5.50	70000	79	440	386
THT-160-8T/9-10	725		17.8	10.30	7.50	87000	80	451	397
THT-160-8T/9-15	725		21.7	12.50	11.00	103000	82	550	481
THT-160-8T/9-20	725		32.9	19.00	15.00	117000	83	604	535
THT-160-8T/9-25	730		34.9	20.10	18.50	133000	84	751	652
THT-160-8T/9-30	730		41.1	23.70	22.00	140000	85	776	677
THT-160-8T/9-40	730		56.3	32.50	30.00	151000	86	837	753

Acoustic features

The specified values are determined according to free field measurements of pressure and sound levels in dB(A) at an equivalent distance of twice the fan's span plus the impeller's diameter, with a minimum of 1.5 m.

Sound power Lw(A) spectrum in dB(A) via frequency band in Hz.

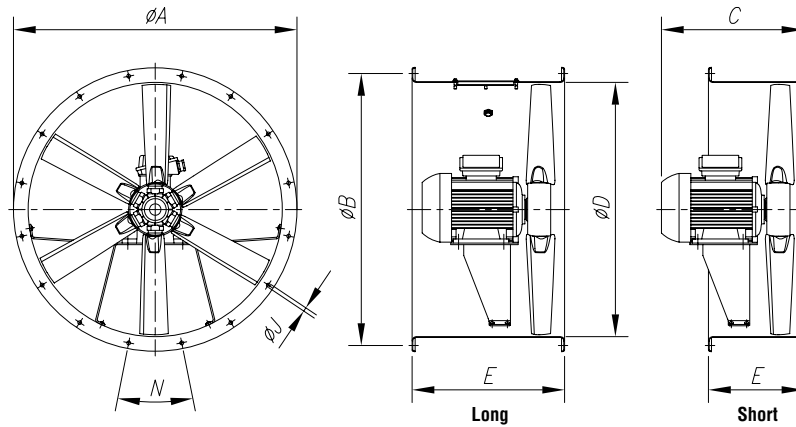
Model	63	125	250	500	1000	2000	4000	8000	Model	63	125	250	500	1000	2000	4000	8000
40-2-1,5	48	69	76	81	84	80	73	62	63-6-0,75	42	60	68	73	75	72	65	56
40-2-2	49	70	77	82	85	81	74	63	63-6-1	43	62	70	75	77	74	67	57
40-4-0,75	36	57	64	69	72	68	61	50	63-8-1,5	33	53	61	66	68	65	58	50
40-4-1,5	33	54	61	66	69	65	58	47	63-8-2	37	53	61	66	68	65	58	51
40-4-2	34	55	62	67	70	66	59	48	63-8-3	38	55	63	68	70	67	62	52
40-6	25	46	53	58	61	57	50	39	63-8-4	39	56	64	69	71	68	63	53
40-12	10	31	38	43	46	42	35	24	63-12-0,75	27	43	51	56	58	55	48	37
45-2-2	50	71	78	83	86	82	75	64	63-12-1	28	45	53	58	60	57	50	42
45-2-3	52	73	80	85	88	84	77	66	71-4-1,5	54	74	82	87	89	86	79	69
45-4-0,75	40	61	68	73	76	72	65	54	71-4-2	53	73	81	86	88	85	78	70
45-4-2	35	56	63	68	71	67	60	49	71-4-3	58	72	80	85	87	84	77	71
45-4-3	37	58	65	70	73	69	62	51	71-4-4	59	73	81	86	88	85	78	72
45-6	27	48	55	60	63	59	52	41	71-6-0,75	44	63	72	74	76	73	66	55
45-12	12	33	40	45	48	44	37	26	71-6-1	45	65	73	75	77	74	67	56
50-2-4	57	77	85	90	92	89	82	71	71-6-1,5	46	66	71	76	78	75	68	57
50-2-5,5	58	78	86	91	93	90	83	72	71-8-1,5	38	58	66	71	73	70	63	54
50-2-6	58	78	86	91	93	90	83	72	71-8-2	38	58	66	71	73	70	63	55
50-4-1	44	64	72	77	79	76	69	58	71-8-3	43	57	65	70	72	69	62	56
50-4-4	42	62	70	75	77	74	67	56	71-8-4	44	58	66	71	73	70	63	57
50-4-6	43	63	71	76	78	75	68	57	71-12-0,75	29	44	52	57	59	56	49	38
50-6	32	52	60	65	67	64	57	46	71-12-1	30	46	54	59	61	58	51	40
50-12	17	37	45	50	52	49	42	31	71-12-1,5	31	46	54	59	61	58	51	40
50-2-5,5	63	83	91	96	98	95	88	77	80-4-3	57	77	85	90	92	89	82	73
56-2-6	63	83	91	96	98	95	88	77	80-4-4	56	76	84	89	91	88	81	74
56-2-12	64	84	92	97	99	96	89	78	80-4-5,5	56	76	84	89	91	88	81	70
56-4-1	48	68	76	81	83	80	73	62	80-6-1,5	49	66	74	79	81	78	71	60
56-4-1,5	49	69	77	82	84	81	74	63	80-6-2	50	67	75	80	82	79	72	61
56-4-2	50	70	78	83	85	82	75	64	80-6-3	51	68	76	81	83	80	73	62
56-4-6	48	68	76	81	83	80	73	62	80-8-0,75	47	60	68	73	75	72	65	54
56-4-12	49	69	77	82	84	81	74	63	80-8-1	48	61	69	74	76	73	66	55
56-6	37	57	65	70	72	69	62	51	80-8-3	42	62	70	75	77	74	67	58
56-8-1,5	34	54	62	67	69	66	59	48	80-8-4	41	61	69	74	76	73	66	59
56-8-2	35	55	63	68	70	67	60	49	80-8-5,5	40	60	68	73	75	72	65	59
56-12	22	42	50	55	57	54	47	36	80-12-2	34	49	57	62	64	61	54	43
63-2-12	67	87	95	100	102	99	92	81	80-12-3	35	50	58	63	65	62	55	44
63-2-22	68	88	96	101	103	100	93	82	90-12-3	36	51	59	64	66	63	56	45
63-4-1	50	70	78	83	85	82	75	64	90-4-4	61	82	89	94	97	93	86	79
63-4-1,5	48	68	76	81	83	80	73	65	90-4-5,5	60	81	88	93	96	92	85	74
63-4-2	52	68	76	81	83	80	73	66	90-4-7,5	59	80	87	92	95	91	84	73
63-4-3	53	70	78	83	85	82	77	67	90-4-9	58	79	86	91	94	90	83	72
63-4-4	54	71	79	84	86	83	78	68	90-4-10	58	79	86	91	94	90	83	72
63-4-12	52	72	80	85	87	84	77	66	90-6-2	49	70	77	82	85	81	74	63
63-4-22	53	73	81	86	88	85	78	67	90-6-3	56	70	77	82	85	81	74	63

Acoustic features

Sound power Lw(A) spectrum in dB(A) via frequency band in Hz.

90-6-4	57	72	79	84	87	83	76	65	125-4/9-40	69	77	94	100	101	96	91	87
90-8-1	42	63	70	75	78	74	67	56	125-4/9-50	71	79	96	102	103	98	93	89
90-8-2	51	66	73	78	81	77	70	59	125-6/9-10	58	68	83	87	86	85	74	70
90-8-3	52	66	73	78	81	77	70	59	125-6/9-15	61	71	86	90	89	88	77	73
90-8-4	46	67	74	79	82	78	71	64	125-6/9-20	64	74	89	93	92	91	80	76
90-8-5,5	45	66	73	78	81	77	70	59	125-6/9-24	64	74	89	93	92	91	80	76
90-8-7,5	43	64	71	76	79	75	68	57	125-8/9-22	47	55	72	78	79	74	69	65
90-8-9	43	64	71	76	79	75	68	57	125-8/9-27	48	56	73	79	80	75	70	66
90-12-2	32	53	60	65	68	64	57	46	125-8/9-37	48	56	73	79	80	75	70	66
90-12-3	41	53	60	65	68	64	57	46	125-8/9-40	49	57	74	80	81	76	71	67
90-12-4	42	55	62	67	70	66	59	48	125-12/9-10	43	53	68	72	71	70	59	55
100-4-7,5	64	84	92	97	99	96	89	78	125-12/9-15	46	56	71	75	74	73	62	58
100-4-9	63	83	91	96	98	95	88	77	125-12/9-24	49	59	74	78	77	76	65	61
100-4-10	62	82	90	95	97	94	87	76	140-6/3-5,5	69	79	87	92	91	90	77	77
100-4-15	61	81	89	94	96	93	86	75	140-6/3-7,5	70	80	88	93	92	91	78	78
100-4-20	63	83	91	96	98	95	88	77	140-6/3-10	71	81	89	94	93	92	79	79
100-6-3	61	72	80	85	87	84	77	66	140-6/3-15	72	82	90	95	94	93	80	80
100-6-4	64	72	80	85	87	84	77	66	140-6/3-20	74	84	92	97	96	95	82	82
100-6-5,5	64	73	81	86	88	85	78	67	140-6/6-7,5	68	83	92	94	91	85	77	73
100-8-2	56	66	74	79	81	78	71	60	140-6/6-10	69	84	93	95	92	86	78	74
100-8-3	57	68	76	81	83	80	73	62	140-6/6-15	70	85	94	96	93	87	79	75
100-8-4	58	68	76	81	83	80	73	62	140-6/6-20	71	86	95	97	94	88	80	76
100-8-7,5	49	69	77	82	84	81	74	63	140-6/6-25	72	87	96	98	95	89	81	77
100-8-9	48	68	76	81	83	80	73	62	140-6/6-30	73	88	97	99	96	90	82	78
100-8-15	46	66	74	79	81	78	71	60	140-6/9-10	66	84	93	92	91	87	78	73
100-8-20	47	67	75	80	82	79	72	61	140-6/9-15	68	86	95	94	93	89	80	75
100-12-3	46	55	63	68	70	67	60	49	140-6/9-20	69	87	96	95	94	90	81	76
100-12-4	48	55	63	68	70	67	60	49	140-6/9-25	70	88	97	96	95	91	82	77
100-12-5,5	49	56	64	69	71	68	61	50	140-6/9-30	71	89	98	97	96	92	83	78
125-4/3-9	70	76	88	98	98	94	86	82	140-6/9-40	73	91	100	99	98	94	85	80
125-4/3-10	70	76	88	98	98	94	86	82	140-6/9-50	74	92	101	100	99	95	86	81
125-4/3-15	71	77	89	99	99	95	87	83	140-8/3-3	64	74	82	87	86	85	72	67
125-4/3-20	73	79	91	101	101	97	89	85	140-8/3-4	64	74	82	87	86	85	72	67
125-4/3-25	73	79	91	101	101	97	89	85	140-8/3-5,5	65	75	83	88	87	86	73	68
125-4/3-27	74	80	92	102	102	98	90	86	140-8/3-7,5	67	77	85	90	89	88	75	70
125-4/3-30	74	80	92	102	102	98	90	86	140-8/3-10	68	78	86	91	90	89	76	71
125-4/3-37	75	81	93	103	103	99	91	87	140-8/6-3	63	75	84	88	86	80	70	67
125-4/3-40	75	81	93	103	103	99	91	87	140-8/6-4	64	76	85	89	87	81	71	68
125-6/3-5,5	66	74	86	90	88	83	74	70	140-8/6-5,5	65	77	86	90	88	82	72	69
125-6/3-7,5	67	75	87	91	89	84	75	71	140-8/6-7,5	66	78	87	91	89	83	73	70
125-6/3-10	69	77	89	93	91	86	77	73	140-8/6-10	67	79	88	92	90	84	74	71
125-6/3-15	70	78	90	94	92	87	78	74	140-8/6-15	68	80	89	93	91	85	75	72
125-6/3-20	71	79	91	95	93	88	79	75	140-8/9-4	62	73	84	89	87	83	73	68
125-6/3-24	71	79	91	95	93	88	79	75	140-8/9-5,5	62	73	84	89	87	83	73	68
125-8/3-9	50	56	68	78	78	74	66	62	140-8/9-7,5	64	75	86	91	89	85	75	70
125-8/3-15	51	57	69	79	79	75	67	63	140-8/9-10	65	76	87	92	90	86	76	71
125-8/3-20	53	59	71	81	81	77	69	65	140-8/9-15	66	77	88	93	91	87	77	72
125-8/3-27	53	59	71	81	81	77	69	65	140-8/9-20	69	80	91	96	94	90	80	75
125-8/3-37	54	60	72	82	82	78	70	66	160-6/3-10	69	79	87	92	91	90	77	72
125-8/3-40	54	60	72	82	82	78	70	66	160-6/3-15	71	81	89	94	93	92	79	74
125-6/3-4	65	73	85	89	87	82	73	69	160-6/3-20	72	82	90	95	94	93	80	75
125-12/3-4	50	58	70	74	72	67	58	54	160-6/3-25	73	83	91	96	95	94	81	76
125-12/3-5,5	51	59	71	75	73	68	59	55	160-6/3-30	75	85	93	98	97	96	83	78
125-12/3-7,5	52	60	72	76	74	69	60	56	160-6/6-15	69	84	93	95	92	86	78	74
125-12/3-10	54	62	74	78	76	71	62	58	160-6/6-20	70	85	94	96	93	87	79	75
125-12/3-15	55	63	75	79	77	72	63	59	160-6/6-25	71	86	95	97	94	88	80	76
125-12/3-24	56	64	76	80	78	73	64	60	160-6/6-30	72	87	96	98	95	89	81	77
125-4/6-20	67	75	91	98	100	95	89	85	160-6/6-40	73	88	97	99	96	90	82	78
125-4/6-22	67	75	91	98	100	95	89	85	160-6/6-50	75	90	99	101	98	92	84	80
125-4/6-25	68	76	92	99	101	96	90	86	160-6/9-15	67	85	94	93	92	88	79	74
125-4/6-27	68	76	92	99	101	96	90	86	160-6/9-20	68	86	95	94	93	89	80	75
125-4/6-30	68	76	92	99	101	96	90	86	160-6/9-25	69	87	96	95	94	90	81	76
125-4/6-37	68	76	92	99	101	96	90	86	160-6/9-30	70	88	97	96	95	91	82	77
125-4/6-40	70	78	94	101	103	98	92	88	160-6/9-40	71	89	98	97	96	92	83	78
125-4/6-50	71	79	95	102	104	99	93	89	160-6/9-50	72	90	99	98	97	93	84	79
125-6/6-5,5	60	69	82	85	86	83	72	68	160-6/9-60	73	91	100	99	98	94	85	80
125-6/6-7,5	60	69	82	85	86	83	72	68	160-6/9-75	74	92	101	100	99	95	86	81
125-6/6-10	62	71	84	87	88	85	74	70	160-8/3-4	63	73	81	86	85	84	71	66
125-6/6-15	64	73	86	89	90	87	76	72	160-8/3-5,5	65	75	83	88	87	86	73	68
125-6/6-20	65	74	87	90	91	88	77	73	160-8/3-7,5	66	76	84	89	88	87	74	69
125-6/6-24	65	74	87	90	91	88	77	73	160-8/3-10	67	77	85	90	89	88	75	70
125-8/6-20	46	54	70	77	79	74	68	64	160-8/3-15	69	79	87	92	91	90	77	72
125-8/6-22	47	55	71	78	80	75	69	65	160-8/6-5,5	61	76	85	87	84	78	70	66
125-8/6-27	47	55	71	78	80	75	69	65	160-8/6-7,5	63	78	87	89	86	80	72	68
125-8/6-37	48	56	72	79	81	76	70	66	160-8/6-10	64	79	88	90	87	81	73	69
125-8/6-40	49	57	73	80	82	77	71	67	160-8/6-15	66	81	90	92	89	83	75	71
125-12/6-5,5	45	54	67	70	71	68	57	53	160-8/6-20	67	82	91	93	90	84	76	72
125-12/6-7,5	45	54	67	70	71	68	57	53	160-8/6-25	68	83	92	94	91	85	77	73
125-12/6-10	47	56	69	72	73	70	59	55	160-8/9-7,5	61	79	88	87	86	82	73	68
125-12/6-15	49	58	71	74	75	72	61	57	160-8/9-10	62	80	89	88	87	83	74	69
125-12/6-24	50	59	72	75	76	73	62	58	160-8/9-15	64	82	91	90	89	85	76	71
125-4/9-22	66	74	91	97	98	93	88	84	160-8/9-20	65	83	92	91	90	86	77	72
125-4/9-25	66	74	91	97	98	93	88	84	160-8/9-25	66	84	93	92	91			

Dimensions in mm



C (consult motor size according to power)

Model	ØA	ØB	80	90S	90L	100	112	132S	132M	160M	160L	180M	180L	200L	225	250	280	ØD	Long	Short	ØJ	N
THT-40	490	450	348	364	389	-	-	-	-	-	-	-	-	-	-	-	-	410	400	250	12	8x45
THT-45	540	500	348	364	389	-	-	-	-	-	-	-	-	-	-	-	-	460	400	250	12	8x45
THT-50	600	560	339	364	389	-	-	-	-	-	-	-	-	-	-	-	-	514	400	250	12	12x30'
THT-50	600	560	-	-	-	419	438	-	-	-	-	-	-	-	-	-	-	514	500	250	12	12x30'
THT-56	660	620	275	364	389	-	-	-	-	-	-	-	-	-	-	-	-	560	400	250	12	12x30'
THT-56	660	620	-	-	-	416	432	480	518	-	-	-	-	-	-	-	-	560	500	250	12	12x30'
THT-56	660	620	-	-	-	-	-	-	620	-	-	-	-	-	-	-	-	560	650	250	12	12x30'
THT-63	730	690	339	359	389	-	-	-	-	-	-	-	-	-	-	-	-	640	400	250	12	12x30'
THT-63	730	690	-	-	-	420	437	-	-	-	-	-	-	-	-	-	-	640	500	250	12	12x30'
THT-63	730	690	-	-	-	-	-	539	577	-	-	-	-	-	-	-	-	640	650	250	12	12x30'
THT-63	730	690	-	-	-	-	-	-	-	630	674	-	-	-	-	-	-	640	650	350	12	12x30'
THT-71	810	770	366	379	404	-	-	-	-	-	-	-	-	-	-	-	-	710	430	300	12	16x22'30"
THT-71	810	770	-	-	-	438	433	-	-	-	-	-	-	-	-	-	-	710	500	300	12	16x22'30"
THT-80	900	860	-	-	422	456	472	-	-	-	-	-	-	-	-	-	-	800	500	300	12	16x22'30"
THT-80	900	860	-	-	-	-	-	515	-	-	-	-	-	-	-	-	-	800	600	300	12	16x22'30"
THT-90	1015	970	-	-	-	466	482	525	565	-	-	-	-	-	-	-	-	900	600	350	15	16x22'30"
THT-100	1115	1070	-	-	-	-	482	525	565	-	-	-	-	-	-	-	-	1000	600	350	15	16x22'30"
THT-100	1115	1070	-	-	-	-	-	-	-	695	695	-	-	-	-	-	-	1000	700	450	15	16x22'30"
THT-125	1365	1320	-	-	-	-	-	561	601	-	-	-	-	-	-	-	-	1250	700	500	15	20x18'
THT-125	1365	1320	-	-	-	-	-	-	-	695	695	-	-	-	-	-	-	1250	700	500	15	20x18'
THT-125	1365	1320	-	-	-	-	-	-	-	-	-	740	740	860	-	-	-	1250	900	500	15	20x18'
THT-125	1365	1320	-	-	-	-	-	-	-	-	-	-	-	-	907	-	-	1250	1000	500	15	20x18'
THT-125	1365	1320	-	-	-	-	-	-	-	-	-	-	-	-	-	987	-	1250	1000	600	15	20x18'
THT-125	1365	1320	-	-	-	-	-	-	-	-	-	-	-	-	-	-	1077	1250	1200	600	15	20x18'
THT-140	1515	1470	-	-	-	-	-	-	570	-	-	-	-	-	-	-	-	1400	650	400	15	20x18'
THT-140	1515	1470	-	-	-	-	-	-	-	-	700	-	-	-	-	-	-	1400	700	450	15	20x18'
THT-140	1515	1470	-	-	-	-	-	-	-	-	-	765	-	-	-	-	-	1400	900	550	15	20x18'
THT-140	1515	1470	-	-	-	-	-	-	-	-	-	-	825	-	-	-	-	1400	900	550	15	20x18'
THT-140	1515	1470	-	-	-	-	-	-	-	-	-	-	-	910	-	-	-	1400	1000	550	15	20x18'
THT-140	1515	1470	-	-	-	-	-	-	-	-	-	-	-	-	985	-	-	1400	1000	600	15	20x18'
THT-160	1735	1680	-	-	-	-	-	-	570	-	-	-	-	-	-	-	-	1600	650	400	19	24x15'
THT-160	1735	1680	-	-	-	-	-	-	-	-	700	-	-	-	-	-	-	1600	700	450	19	24x15'
THT-160	1735	1680	-	-	-	-	-	-	-	-	-	765	-	-	-	-	-	1600	900	550	19	24x15'
THT-160	1735	1680	-	-	-	-	-	-	-	-	-	-	825	-	-	-	-	1600	1000	550	19	24x15'
THT-160	1735	1680	-	-	-	-	-	-	-	-	-	-	-	910	-	-	-	1600	1000	550	19	24x15'
THT-160	1735	1680	-	-	-	-	-	-	-	-	-	-	-	-	985	-	-	1600	1000	600	19	24x15'
THT-160	1735	1680	-	-	-	-	-	-	-	-	-	-	-	-	-	1190	-	1600	1000	700	19	24x15'

Motor build sizes depending on power (one-speed)

	CV																			
	0,75	1	1,5	2	3	4	5,5	7,5	10	12	15	20	22	25	30	40	50	60	75	100
2T (3000 r/min)	80	80	80	90S	90L	100LB	112M	132S	132S	132MA	160M	160M	160L	180M	180L	200L	225S/M	225S/M	250S/M	280S/M
4T (1500 r/min)	90S	90S	90S	90L	100LA	100LB	112M	132S	132M	-	160M	160L	-	180M	180L	200L	225S/M	225S/M	250S/M	280S/M
6T (1000 r/min)	90S	90S	90L	100L	112M	132S	132MA	132MB	160M	-	160L	180L	-	200MLA	200MLB	225SMB	250S/M	280S/M	280S/M	-
8T (750 r/min)	90L	100LA	100L	112M	132S	132M	160MA	160M	160L	-	180L	200MLA	-	225SMA	225SMB	250SMA	280S/M	280S/M	-	-

Motor build sizes depending on power (two-speed)

	CV																					
	0,75	1	1,5	2	3	4	5,5	6	7,5	8	10	12	15	18	20	22	24	27	37	38	40	
2/4(3000/1500 r/min)	-	-	90S	90S	90L	100L	-	112M	-	-	132M	-	160MA	-	160M	-	160L	-	-	-	-	
4/8(1500/750 r/min)	-	-	90S	100L	100LA	100LC	132S	-	132S	132S	-	132M	-	160M	-	160L	180M	180M	180L	200MLA	200L	225S/M
6/12(1000/500 r/min)	90L	100L	100LB	112M	112M	132MC	160M	160M	160LB	160LB	-	160LB	-	200MLC	160L	200M	-	250SMB	225S/M	-	225S/M	-

Characteristic curves

See characteristic curves on page 33.